

PVC WRAPPED OVER 1 1/2" MDF  
MEDIUM DENSITY FIBERBOARD

BRACKET #HR-02-1 ALUM.  
2 PART ADJUSTABLE FRONT TO  
BACK AND SIDE TO SIDE

1 THROUGH-BOLT 1/4-20 X 1"  
1 ELASTIC STOP NUT 1/4-20

1/16"

LINE OF WALL

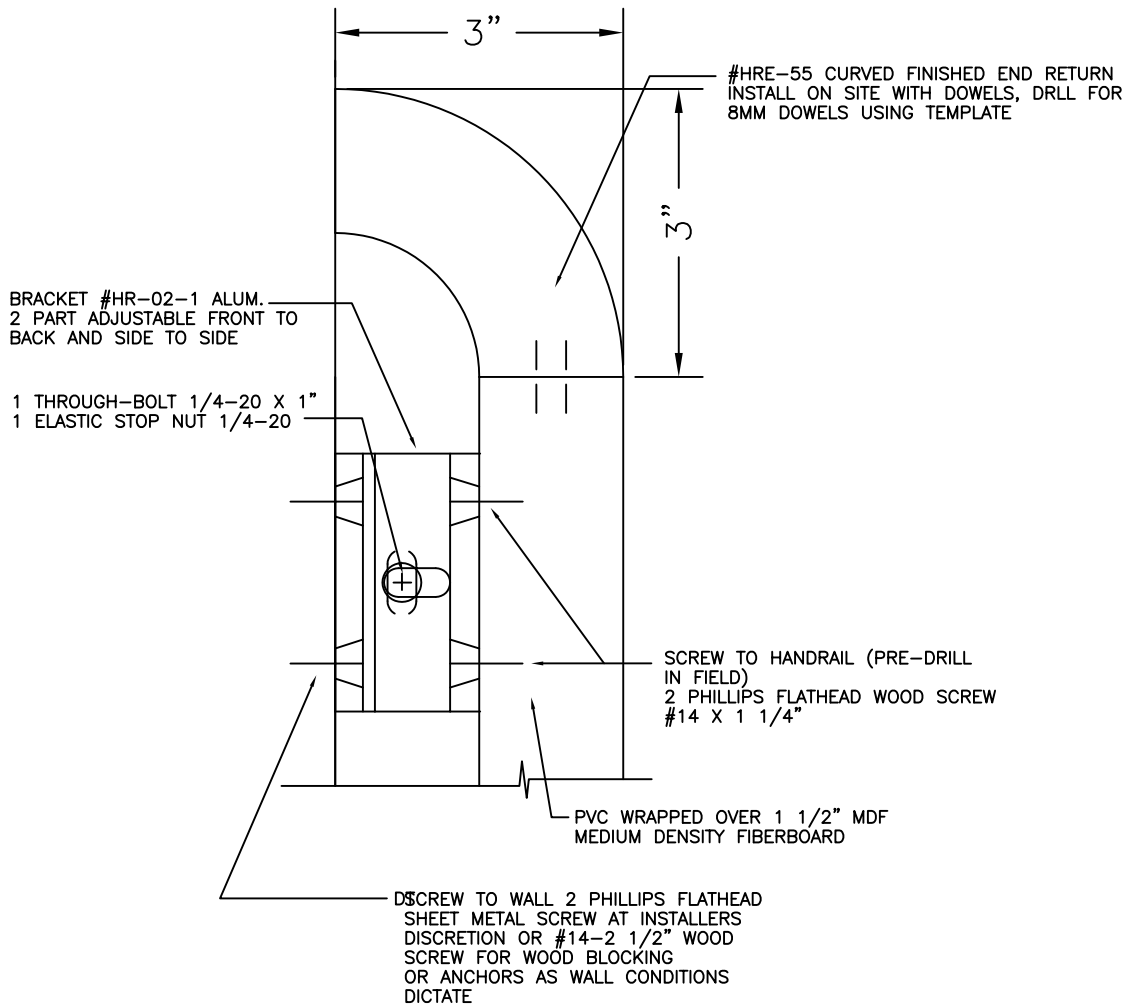
SCREW TO WALL 2 PHILLIPS FLATHEAD  
SHEET METAL SCREW AT INSTALLERS  
DISCRETION OR #14-2 1/2" WOOD  
SCREW FOR WOOD BLOCKING  
OR ANCHORS AS WALL CONDITIONS  
DICTATE

SCREW TO HANDRAIL (PRE-DRILL  
IN FIELD)  
2 PHILLIPS FLATHEAD WOOD SCREW  
#14 X 1 1/4"

HR-810 HANDRAIL  
TYPICAL SECTION  
FULL SCALE

SpecTrim BUILDING PRODUCTS, LLC

P. O. BOX 826, 600 CENTER AVE.  
BENSALEM, PA 19020  
800/437-0557 267/223/1030 FAX 215/245-8704



HR-810 HANDRAIL  
TYPICAL FINISHED END PLAN  
HALF SCALE

SpecTrim BUILDING PRODUCTS, LLC

P. O. BOX 826, 600 CENTER AVE.

BENSALEM, PA 19020

800/437-0557 267/223/1030 FAX 215/245-8704