



SPECTRIM[®]

building products

www.spectrimbp.com

MicroTrim

**Understated Transitions
Inexpensive
Ease of Installation
Low Profile
Typical Industry Profiles
Popular Pantone[®] Finishes**

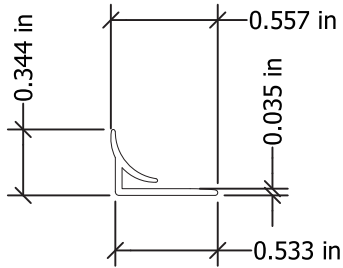
www.spectrimbp.com/microtrim

Spectrim MicroTrims

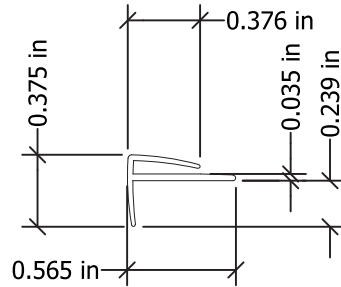
offer an unobtrusive transition between our Ven4ma sheets. The vertical, horizontal, and corner trims are available in 10 foot lengths and in the most popular Pantone finishes. The 3/8" protrusion of the trims allow for a low profile solution that adds to the overall design element of the installation.



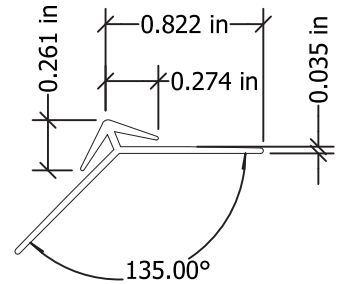
INSIDE CORNER TRIM



90 DEG OUTSIDE CORNER TRIM

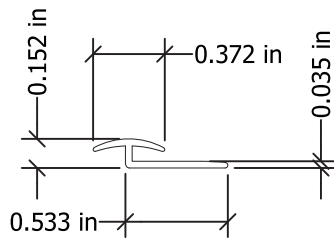


135 DEG OUTSIDE CORNER TRIM

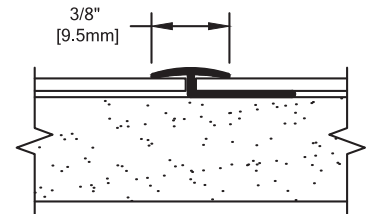
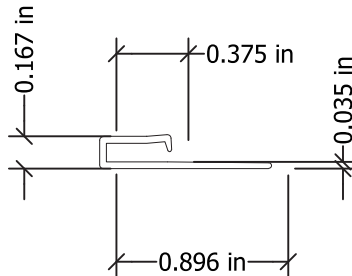


Product #: SPE.VT- (↔) -10

VERTICAL JOINT TRIM



WAINSCOT TRIM



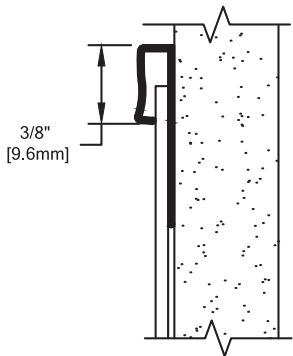
VERTICAL JOINT TRIM
11/16" x 1/8" x 120"

Product #: SPE.WT- (↔) -10

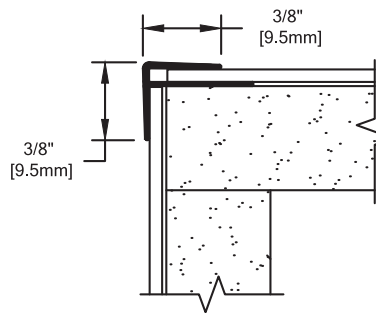
Product #: SPE.OC- (↔) -10

Product #: SPE.IC- (↔) -10

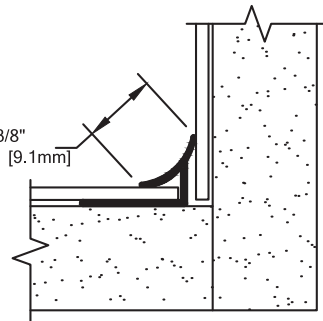
Product #: SPE.OC.135- (↔)



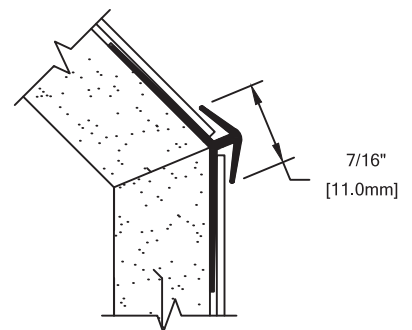
WAINSCOT TRIM
7/8" x 1/8" x 120"



90° OUTSIDE CORNER TRIM
1/2" x 3/4" x 120"



INSIDE CORNER TRIM
1/2" x 3/4" x 120"



135° OUTSIDE CORNER TRIM
3/4" x 3/4" x 120"

