



Handrail

Built and shaped to provide superior safety and support.



The Environment

100% Recyclable

Low Emitting Adhesives

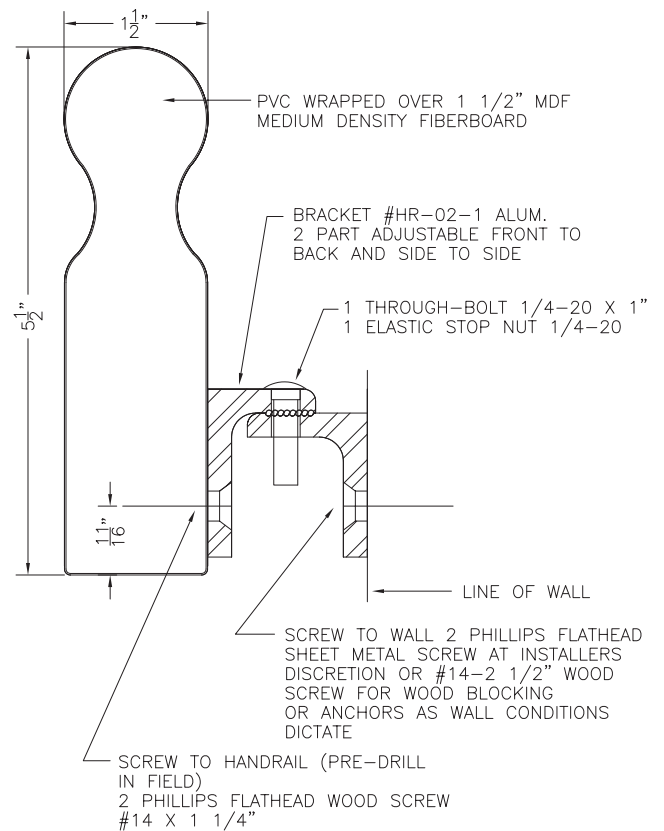
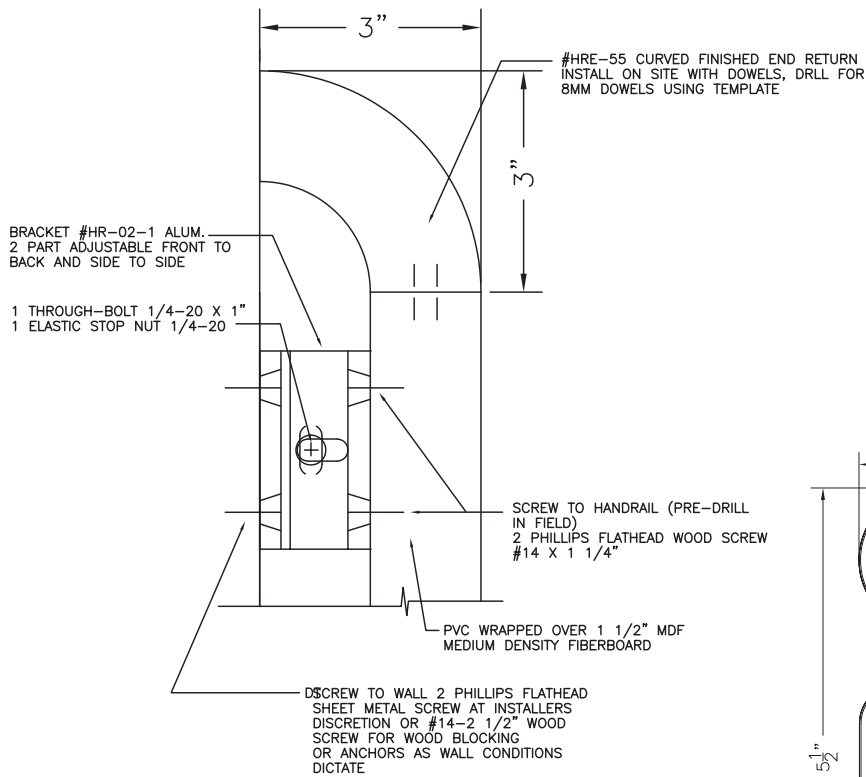
No Off-Gassing

No Timber Harvested

- Pre-finished Realistic and Durable Surface
- UV Protected - No Color Fade
- Easy to Install
with adjustable brackets
- ADA Compliant
- Look and Feel of Real Wood
- Impact and Scratch Resistant
- Coordinate Finish with All Spectrim Products
- Withstands Harsh Cleaning Agents
- Warranty 5 Year self-delamination and color fade



Handrail Details & Finishes



Finishes

Solid	Solid Folkstone Grey 924	Antique White STF 104			
Premium	Honduras Mahogany 08	Maple 13	Driftwood 32	Amber Cherry 912	
Essential	Authentic Apple 100	Sienna Walnut 101	Natural Cherry STF 102	Wenge STF 103	Autumn Walnut 105
	Riva 106	Pearwood 107	Memento 108	En Vogue Olive 110	Sycamore 121