



Corner Guard



The Environment

100% Recyclable

Low Emitting Adhesives

No Off-Gassing

No Timber Harvested

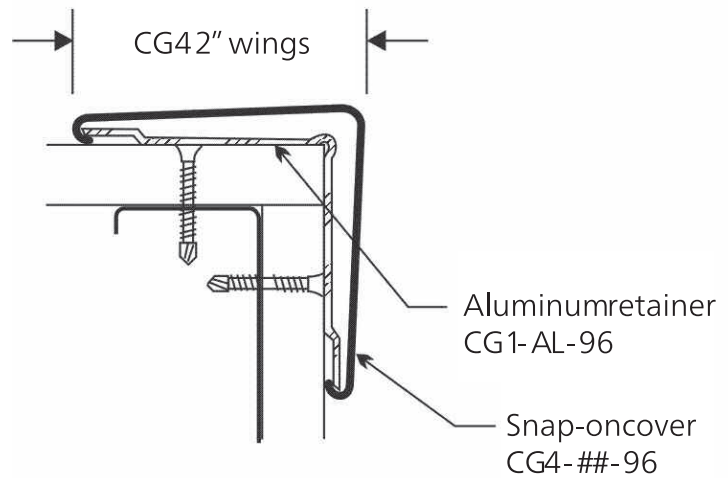
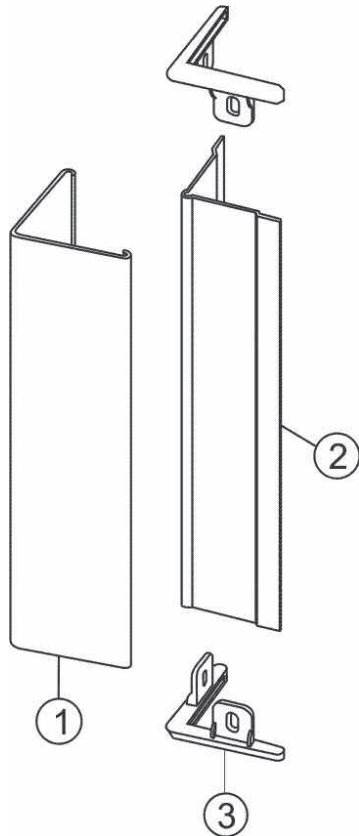
- 2" x 2" Removable Cover
- UV Protected - No Color Fade
- Prevents Wall Damage
due to carts, roll-able beds, cleaning equipment, and chairs
- Impact and Scratch Resistant
- Available in 8' Lengths
10' available for Special Order
- Matching End Caps
- Coordinate Finish with All Spectrim Products
- Look and Feel of Real Wood
- Withstands Harsh Cleaning Agents
- **Warranty** 5 Year self-delamination and color fade



GSA Schedule
GS-07F-0054W



Corner Guard Details & Finishes



TYPICAL PLAN SECTION

COMPONENT PART NUMBERS

CG20-##-96 CORNER GUARD COMPONENT SET:

- 1. Snap-on Cover
- 2. Aluminum Retainer

CG2E-## CORNER GUARD END CAP

- 3. End Cap

Finishes

Premium	Honduras Mahogany 08	Maple 13	Driftwood 32	Amber Cherry 912		
Essential	Authentic Apple 100	Sienna Walnut 101	Natural Cherry STF 102	Wenge STF 103	Antique White STF 104	Autumn Walnut 105
	Riva 106	Pearwood 107	Memento 108	Cosmo Plum 109	En Vogue Olive 110	Sycamore 121